

S E R V I C E N O T E

SUPERSEDES: None

87510A Gain-Phase Analyzer

Serial Numbers: 0000J00000 / 3240J00288

Modification to prevent the 87510A from a CRT failure which leads to no picture on the display

To Be Performed By: Agilent-Qualified Personnel

Parts Required:

Part No.	Qty.	Description
1400-0611	1	Cable Clamp
87510-61646	1	Flatcable

Situation:

The flatcable (p/n 87510-61646) might be pinched and cut off by the edges of the shield plate (p/n 87510-64915) and the A51 GSP board because the flatcable is not fastened in place.

Continued

DATE: 14 June 1994

ADMINISTRATIVE INFORMATION

SERVICE NOTE CLASSIFICATION:					
MODIFICATION RECOMMENDED					
ACTION CATEGORY:	<input checked="" type="checkbox"/> IMMEDIATELY <input type="checkbox"/> ON SPECIFIED FAILURE <input type="checkbox"/> AGREEABLE TIME	STANDARDS:	Labor 1.0 Hour		
LOCATION CATEGORY:	<input type="checkbox"/> CUSTOMER INSTALLABLE <input type="checkbox"/> ON-SITE <input checked="" type="checkbox"/> SERVICE CENTER	SERVICE INVENTORY:	<input type="checkbox"/> RETURN <input type="checkbox"/> SCRAP <input type="checkbox"/> SEE TEXT	USED PARTS:	<input type="checkbox"/> RETURN <input checked="" type="checkbox"/> SCRAP <input type="checkbox"/> SEE TEXT
AVAILABILITY:	PRODUCT'S SUPPORT LIFE	AGILENT RESPONSIBLE UNTIL: June 1996			
AUTHOR: KI	ENTITY: 3355	ADDITIONAL INFORMATION:			

Solution/Action:

If the flatcable is crushed then replace the flatcable with a new one. Fix the cable to the CRT assembly with a cable clamp regardless of the degree of flatcable deterioration.

Procedure:

1. Disconnect the power cable from the 87510A.
2. Remove the top cover from the 87510A.
3. Remove the twelve screws which fasten the shield plate over the A51 board and the CRT, and remove the shield plate.
4. Check carefully if the flatcable (CRT -A51) is crushed by the shield plate and A51 board. If it is crushed or damaged then replace it with a new one (p/n 87510-61646).
5. Regardless of the degree of flatcable degradation, fasten the flatcable in place with the Cable Clamp (p/n 1400-0611) so that the edges of the shield plate (p/n 87510-64915) and the A51 board do not pinch the flatcable. (Refer to Figure 1).
6. Install the shield plate over the A51 board and the CRT.
7. Turn the 87510A ON and confirm the "POWER ON TEST FAILED" message is NOT displayed.
8. Turn the 87510A OFF.
9. Reinstall the top cover on the 87510A.

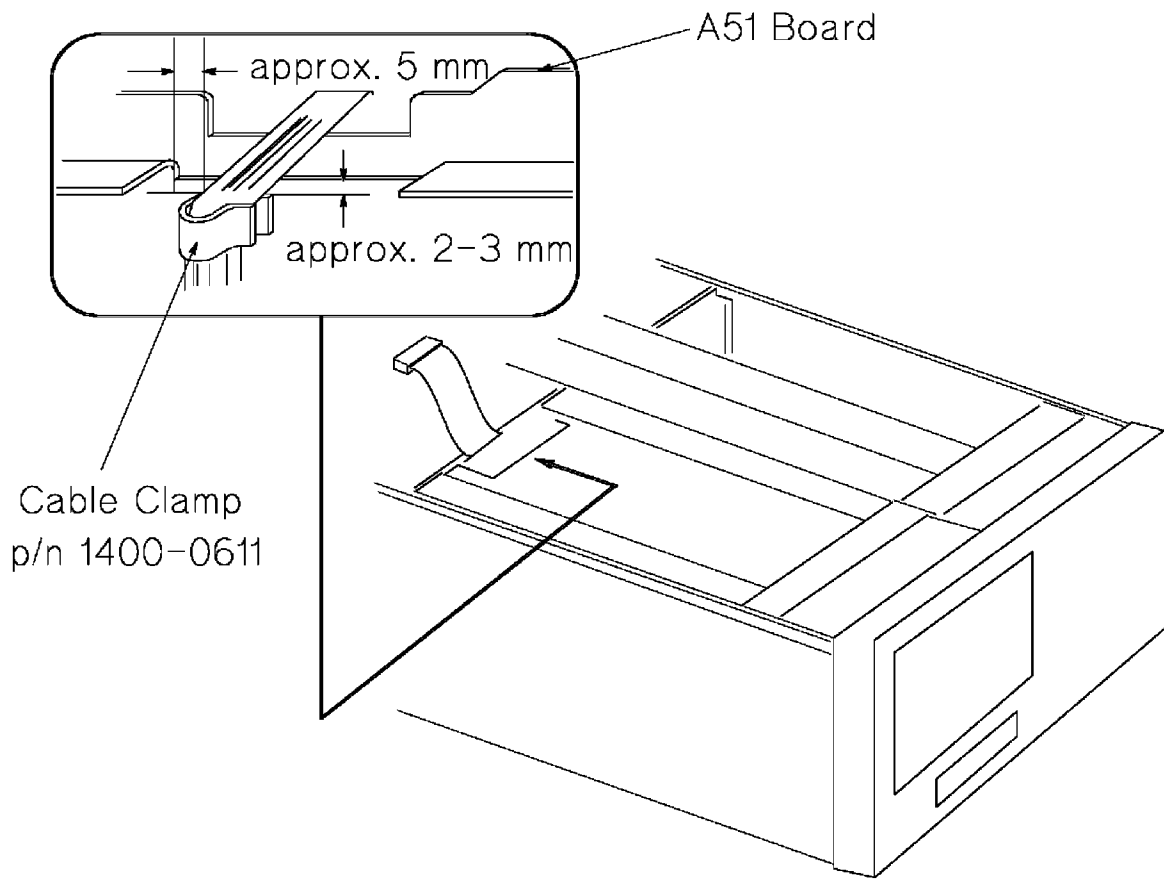


Figure 1. Cable Clamp Location